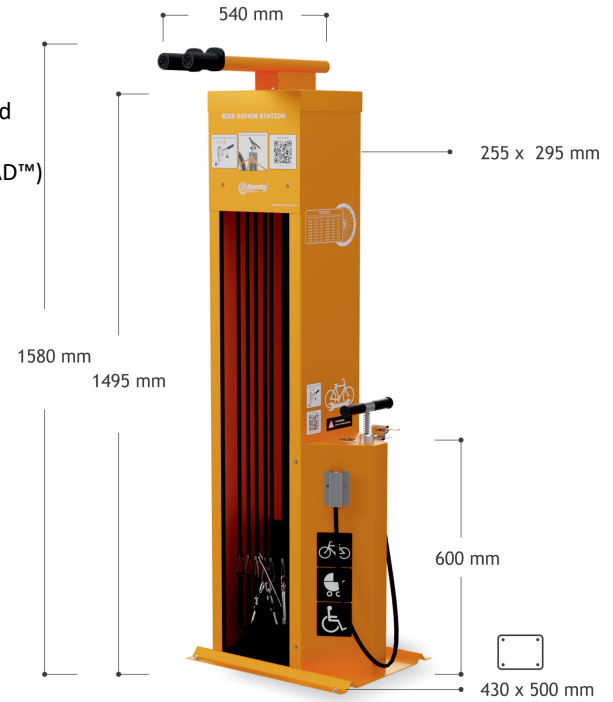


Specification:

- housing made of galvanized or stainless steel
- holder in the housing for the pump adapter made of stainless steel with AISI 304 and engraving
- powder painting
- tools on stainless steel lines fi 4 mm in rubber cover fi 11 mm
 - PH2 Phillips screwdriver with integrated swivel, AISI 304/420 stainless steel + nickel-plated
 - flat screwdriver (5.5 mm) with integrated swivel, AISI 304/420 stainless steel + nickel-plated
 - HEX + TORX (2-in-1) wrench with integrated swivel, AISI 316/420 stainless steel + nickel-plated
 - adjustable wrench (0-36 mm), AISI 420 stainless steel + nickel-plated
 - flat spanner 8x10 mm AISI 420 stainless steel + nickel-plated
 - flat spanner 13x15 mm AISI 420 stainless steel + nickel-plated
 - tire levers nylon-coated with AISI 420 stainless steel core x3 pcs.
 - double-chamber pump adapter - AISI 630 stainless steel + nickel-plated for all types of bicycle valves (Presta, Schrader and Dunlop) with industrial-grade AISI 304 components (IBOMBO AISIPRO 630 HEAD™) + reinforced hydraulic hose 1/4" (225 BAR)
 - manual stationary bicycle pump max. 10 bar
 - thick piston made of stainless steel AISI304 fi 14 mm
 - stainless steel pump handle fi 32 mm
 - anodized aluminum sealant (PA6)
 - antifog pressure gauge with glycerin
- mounting kit (4 x M10 anchors, 75 mm)
- anti-theft nuts for the base of the station with a patent key
- anti-theft screws securing the element of the station with service tips
- possibility to mount up to 18 tools
- branding of the front and two walls of the station with foil and laminate
 - 1 x 29 x 29 cm
 - 1 x 85 x 24 cm
 - 1 x 145 x 24 cm



Self-Service Bike Repair Station is adapted for use in public space. Its housing is made of **galvanized/stainless steel, powder coated**. The device is mounted to the ground or walls with anchors. **Stainless steel cables** hanging inside the device housing are used to attach tools to them; their length allows you to reach some parts of the bike. **Swivels** allow for better comfort of use when adjusting with screwdrivers or allen keys. The station is equipped with a manual air pump with a **thick piston** made of stainless steel AISI304 fi 14 mm and **an antifog manometer with glycerin**. Double chamber pump adapter made of stainless steel AISI630 + nickel-plated for all types of bicycle valves (Presta, Schrader and Dunlop) with industrial grade AISI304 stainless steel internals. The design of the station allows you to place the bike on the brackets; making repairs or inspecting the bike with the possibility of crank movements. **The QR CODE** located on the front of the station allows the use online publications containing instructions for repairing bicycle faults. The sheet metal components in the device are connected by **anti-theft screws**.

IBOMBO sp. z o.o.

Strzyżewice, ul. Modelarska 9a, 64-100 Leszno, POLAND
 KRS: 0000923409, NIP: 6972383411, REGON: 520012450

biuro@ibombo.com | www.ibombo.com | +48 730-070-730

